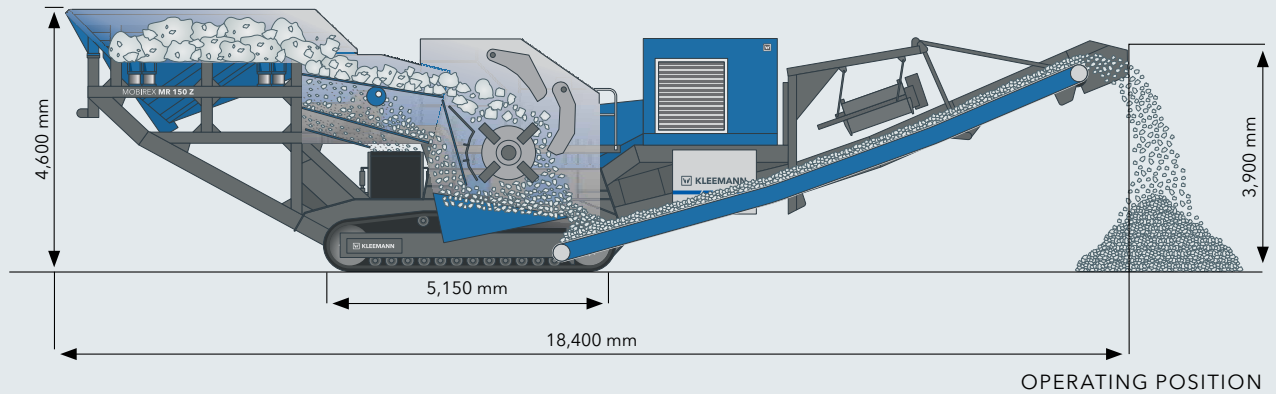




TECHNICAL INFORMATION | TRACK-MOUNTED IMPACT CRUSHERS

MOBIREX MR 150 Z





TECHNICAL HIGHLIGHTS

- Frequency-controlled vibrating feeder
- Independent vibrating double-deck prescreen
- Hydraulically foldable hopper walls
- Diesel-electric drive concept

TECHNICAL INFORMATION MR 150 Z

Feeding unit

Feed capacity up to approx. (t/h) ¹⁾	550
Feed size max. (mm)	1,200 x 800
Feed height (mm)	4,600
Hopper volume (m ³)	7.5
Width x Length (mm)	2,800 x 4,000

Vibrating feeder

Width x Length (mm)	1,500 x 3,600
---------------------	---------------

Prescreening

Type	double-deck heavy-piece screen
Width x Length (mm)	1,480 x 2,500

Side discharge conveyor (optional)

Width x Length (mm)	650 x 6,000
Discharge height approx. (mm)	3,500

Crusher

Impact crusher type	SHB 15/100
Crusher inlet width x height (mm)	1,520 x 1,000
Crusher weight approx. (kg)	21,500
Rotor diameter (mm)	1,330
Crusher drive type, approx. (kW)	electric, 315
Crushing capacity with concrete/rubble up to approx. (t/h)	355 ²⁾
Crushing capacity with asphalt up to approx. (t/h)	305 ³⁾
Crushing capacity with limestone up to approx. (t/h)	460 ⁴⁾

Vibrating extractor

Width x Length (mm)	1,400 x 2,600
---------------------	---------------

Crusher discharge conveyor

Width x Length (mm)	1,500 x 10,000
Discharge height approx. (mm)	3,900

Power supply unit

Drive concept	diesel-electric
Scania (Tier 3 / Stufe IIIA) (kW)	480 (1,500 rpm)
Generator (kVA)	880

Transport ^{5) 6)}

Transport height approx. (mm)	4,100
Transport length approx. (mm)	17,400
Transport width max. (mm)	3,600
Transport weight approx. (kg)	75,000

¹⁾ dependent on the type and composition of the feed material, the feed size, the prescreening, as well as the desired final grain size

²⁾ for final grain size 0 - 56 mm with approx. 10 - 15% oversize grain

³⁾ for final grain size 0 - 32 mm with approx. 10 - 15% oversize grain

⁴⁾ for final grain size 0 - 100 mm with approx. 5 - 10% oversize grain

⁵⁾ no options

⁶⁾ plant can be dismantled into several units for transportation

Standard features: Hydraulically foldable feed hopper / Frequency-controlled vibrating feeder / Radio remote control / PLC control with LCD display / Control cabinet, double dust encapsulation, lockable, suspended and with over pressure system / Swivel arm for changing the blow bars / Spray system for dust reduction / Lighting

Options: Side discharge conveyor / Electromagnetic separator, permanent magnet or magnet preparation / Preparation for installation of belt scale / Belt covers (aluminium, tarpaulin) / Remote maintenance via GSM modem / External power supply / Hydraulic folding device for crusher discharge conveyor